

OceanLink Battery Gauges

Description

The OceanLink 52mm gauges are connected directly to any OceanLink Master unit using the patented EasyLink serial bus connection. Up to 20 EasyLink gauges for each Master can be daisy-chained together. OceanLink Gauges have white and black dial version, which is always completed with bezel in identical colour. Optional Chrome bezel is available as decorative accessory.

Battery Current



A2C1349640001



A2C1349650001



A2C1349660001



A2C1349680001

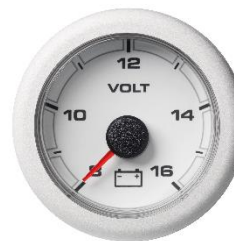
Battery Voltage



A2C1066100001



A2C1066120001



A2C1066110001



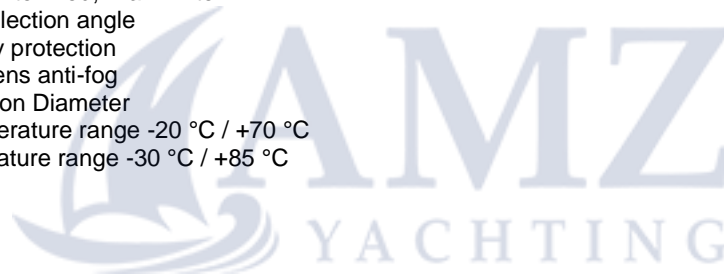
A2C1066130001

Available Gauges:

| Gauge PN | Gauge Type | Colour | Measurement range | Diameter (mm) |
|---------------|-----------------|--------|-------------------|---------------|
| A2C1349640001 | Battery Current | Black | - 60 / + 60 A | 52 |
| A2C1349660001 | Battery Current | White | - 60 / + 60 A | 52 |
| A2C1349650001 | Battery Current | Black | - 150 / + 150 A | 52 |
| A2C1349680001 | Battery Current | White | - 150 / + 150 A | 52 |
| A2C1066100001 | Battery Voltage | Black | 8 – 16 V | 52 |
| A2C1066110001 | Battery Voltage | White | 8 – 16 V | 52 |
| A2C1066120001 | Battery Voltage | Black | 16 – 32 V | 52 |
| A2C1066130001 | Battery Voltage | White | 16 – 32 V | 52 |

Features

- AMP Superseal EasyLink connector
- < 100 mA
- Illumination: Pointer Red, Dial White
- 240° pointer deflection angle
- Reverse polarity protection
- Plastic double lens anti-fog
- 52 mm Installation Diameter
- Operating temperature range -20 °C / +70 °C
- Storage temperature range -30 °C / +85 °C



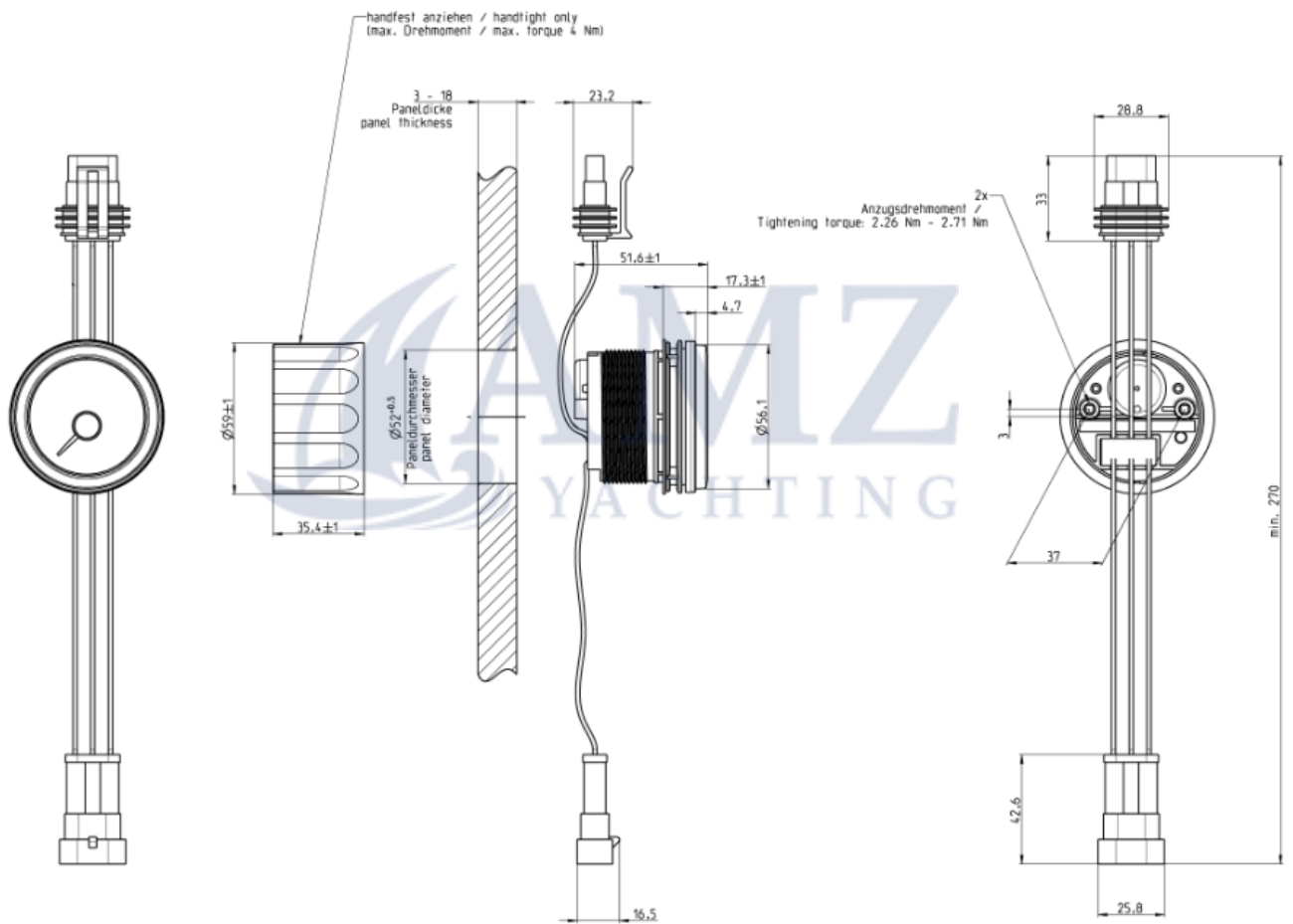
| Technical Data | |
|------------------------------------|---|
| Housing | Material: PBT- FR Bezel: Black, White |
| Dimensions | Installation Diameter: 52mm |
| Operating Voltage | 9.0 -32 VDC |
| Current Consumption | <100mA |
| Operating Temperature | -20°C to +70°C |
| Storage Temperature | -30°C to +85°C |
| Nominal Position | NL 0 to NL 85; According to DIN 16257 |
| Mounting/Fixing | Front or flush mount |
| Protection Class | IEC60945 exposed equipment Front: IPX5 extended Rear:IPX5 |
| Flammability | UL94-V0 |
| EMC | I DIN-EN 61000-6-2:2006 IEC 60945:2002/ISO7637-2 |
| Reverse Polarity Protection | Yes, |
| Short Circuit Protection | Yes, 1 minute |
| Approval | CE and RoHS |

Connectors

AMP Superseal 3 Pol

| Pin | Signal |
|-----|------------------|
| 1 | EasyLink – Power |
| 2 | EasyLink – Data |
| 3 | EasyLink – GND |

Mechanical Design



Accessories

| Part Number | Item specifics |
|---------------|--------------------------|
| A2C1141440001 | Round black bezel 52mm |
| A2C5336487001 | Round chrome bezel, 52mm |
| A2C1352110001 | Round white bezel, 52mm |
| A2C1650700001 | EasyLink extension cable |
| A2C5205947101 | Union Nut 52mm |